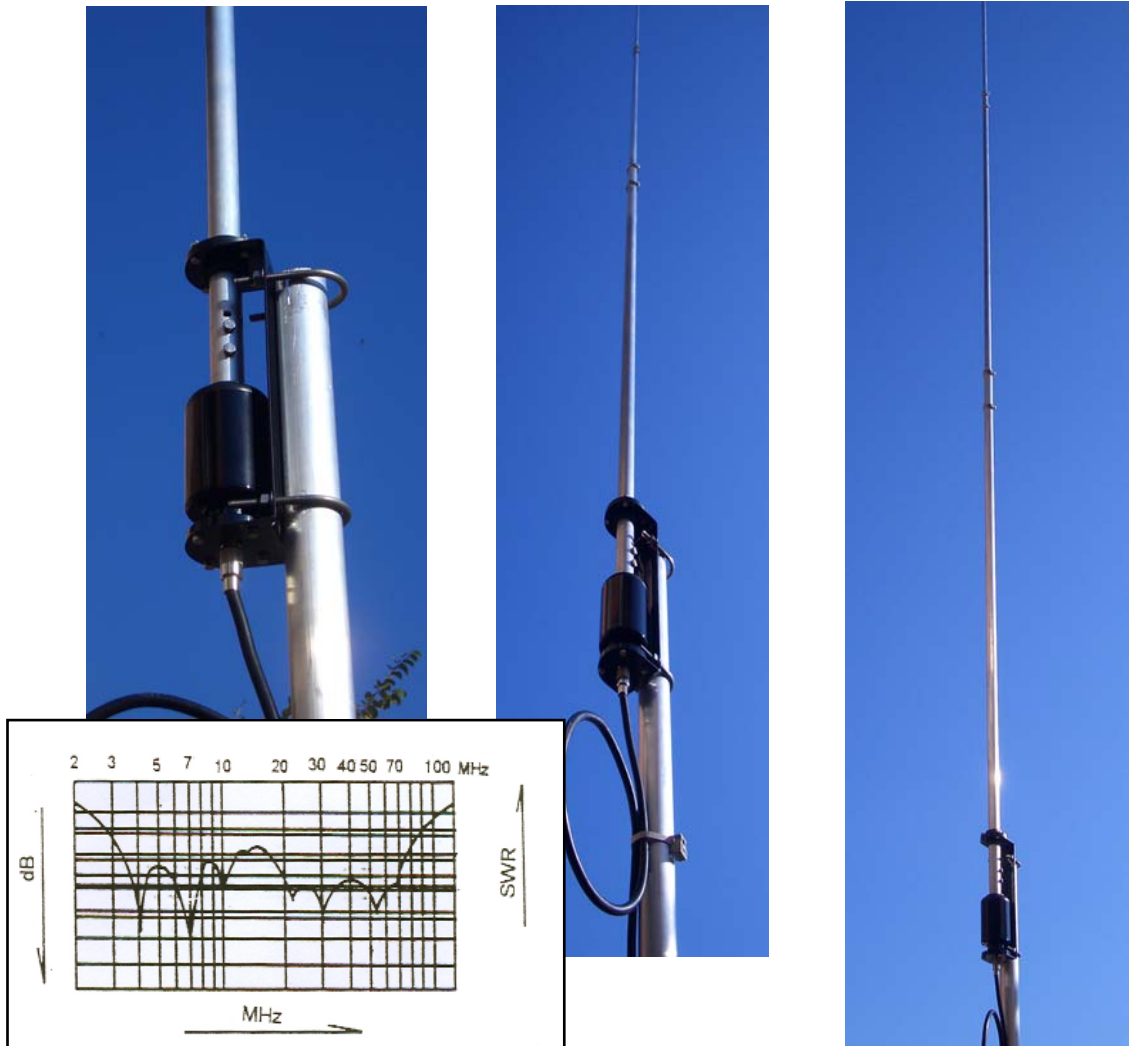
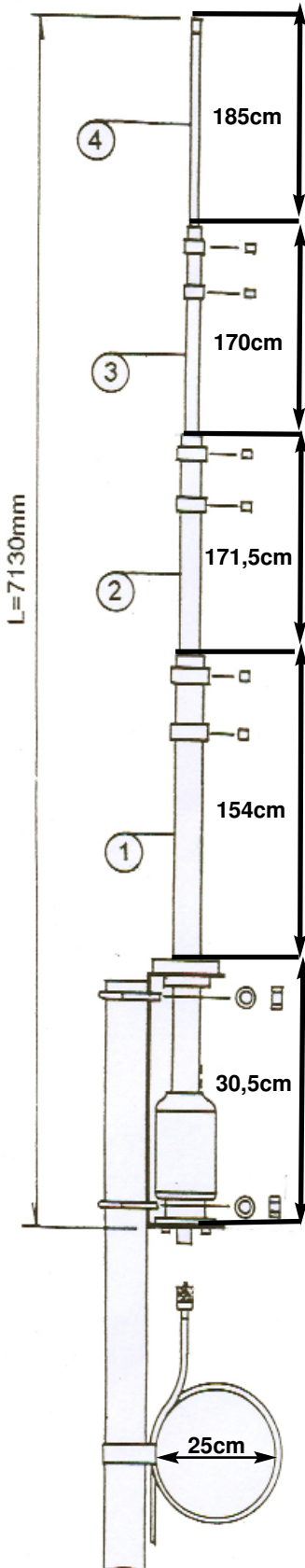


OUT-250-B

HF VERTICAL ANTENNA

Height 7.13 m Frequency 3.5 - 57 MHz



Technical Specifications

◆ Bands:	6, 10, 12, 15, 17, 20, 30, 40 & 75/80 m
◆ TX:	3,5 - 57MHz
◆ RX:	2.0 - 90MHz
◆ MAX Power:	250W SSB & 125W FM
◆ Impedance:	50 Ohm
◆ SWR:	Less than 1.5:1
◆ Connector:	PL
◆ Height:	7,13m
◆ Weight:	3kg
◆ Wind Speed:	30m/sec
◆ Mast Diameter:	25 to 42mm